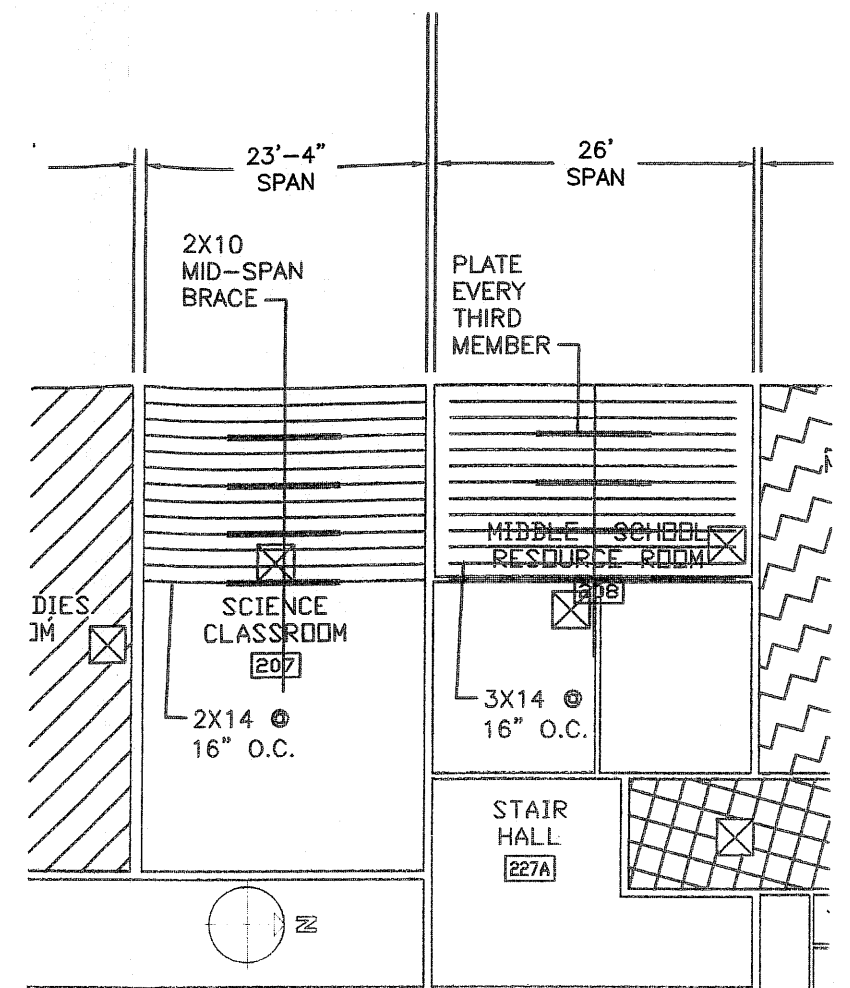
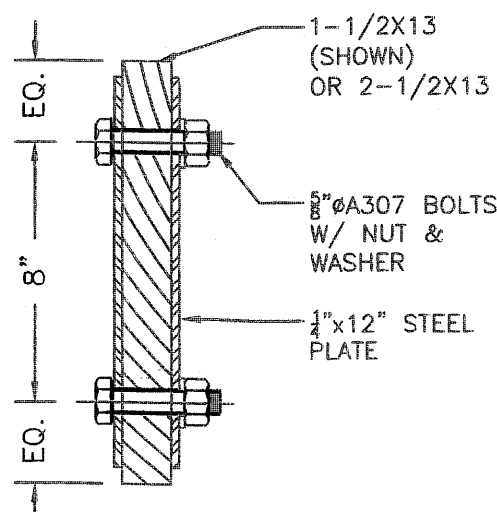


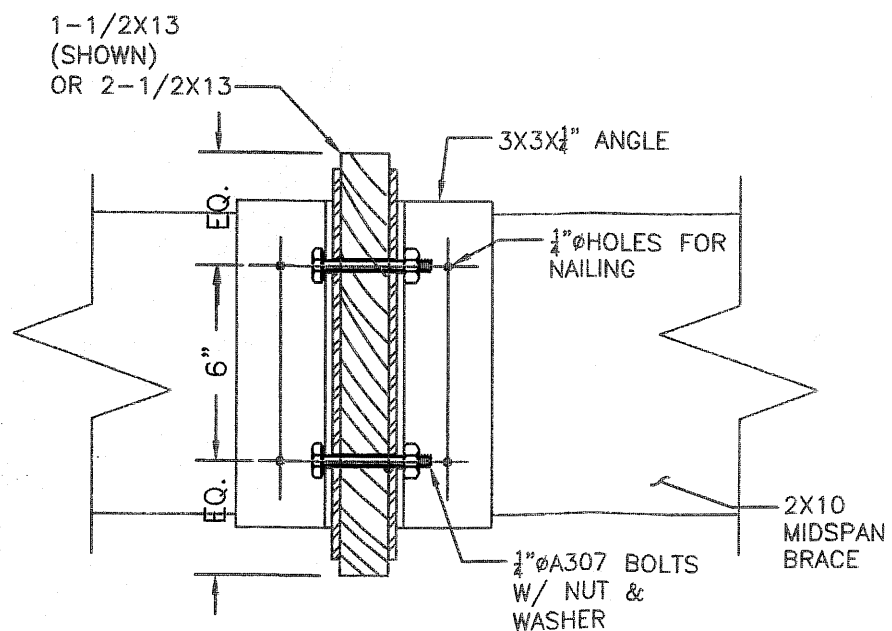
PLATE ELEVATION  
SCALE 1" = 1'-0"



GENERAL PART PLAN  
SCALE 1/16" = 1'-0"



SECTION A-A  
SCALE 2" = 1'-0"



SECTION B-B  
SCALE 2" = 1'-0"

REV.	DATE:	DESCRIPTION:
PREPARED FOR: <b>WELLER &amp; MICHAL ARCHITECTS, INC.</b> 222 WEST STREET KEENE, NEW HAMPSHIRE 03431		
<b>MARLBOROUGH ELEMENTARY SCHOOL</b> 23 SCHOOL STREET MARLBOROUGH, NEW HAMPSHIRE		
<b>GV Engineering, LLC</b> STRUCTURAL, GEOTECHNICAL, MARINE MANAGEMENT		372 West Street, Suite 100 Keene, New Hampshire, 03431 TEL (603)-283-0300 FAX (603)-283-0300
DES. AW/CLG	CHK. CG	DR. GS
SCALE AS SHOWN	APP'D CG	DATE DECEMBER 2006
GVE FILE NO. 194		SHEET 1 OF 1